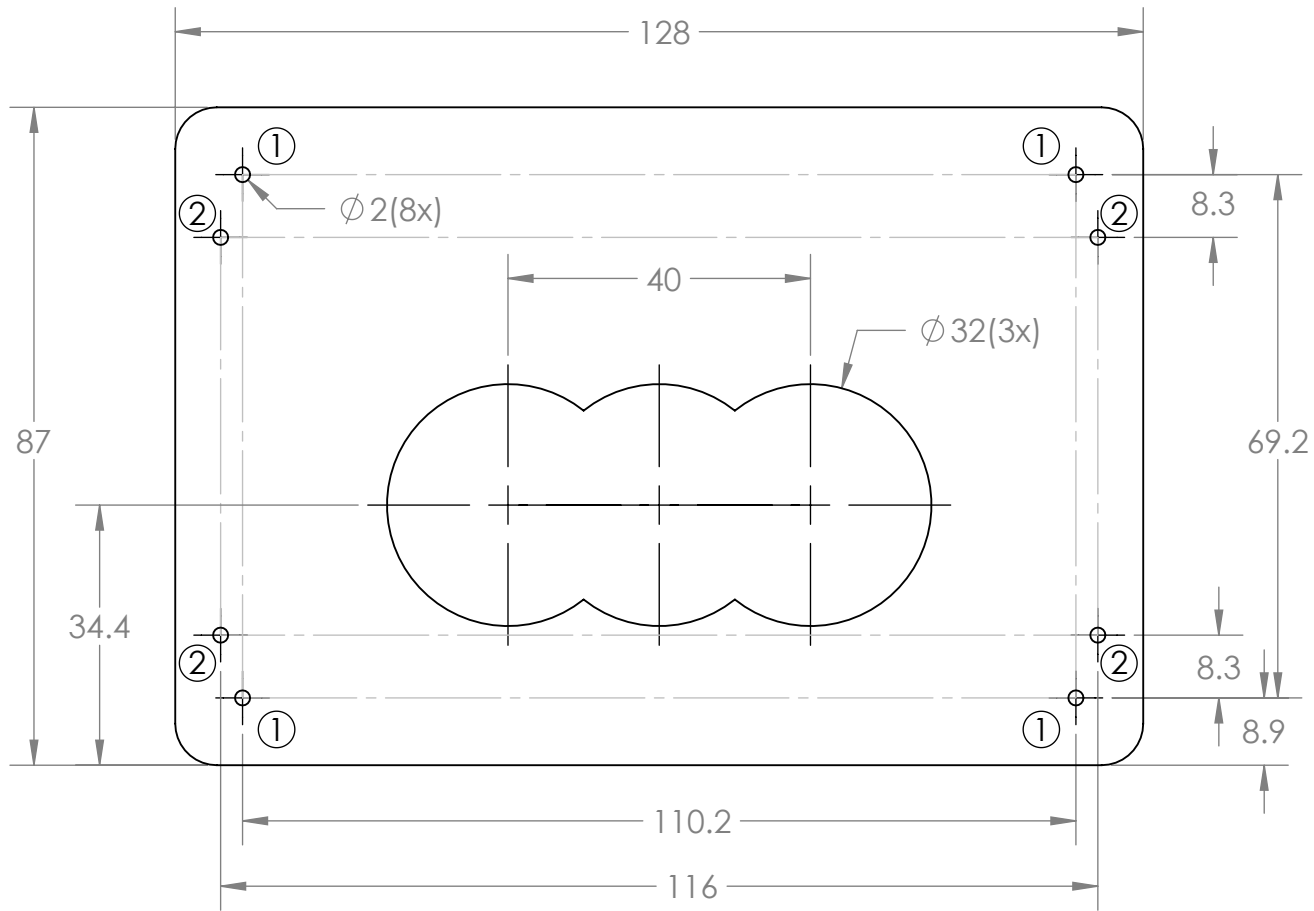


Drilling jig for BPP900455050 GX Touch 50



- Ø 32mm holes: drill outer two first, then take out middle part (this hole can be bigger without consequences)
- Ø 2mm holes: user needs to drill 4 of 8 depending on the way mounting:
 - fixing frame with screws: use holes ①
 - fixing housing with threaded bar and wingnuts: use holes ②

Dimensions in mm

