

Delta Grid Energy Meter with Modbus Connection

SE-RGMTR-3D-208V-A

ACCESSORIES



Delta Grid Energy Meter for Commercial Installations

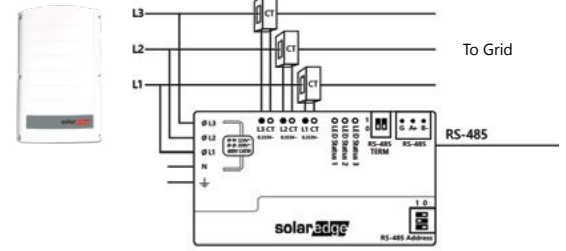
- / High accuracy meter readings for production / consumption monitoring
- / Export / Import meter readings for export limitation functionality
- / Small and easy to install - fits in standard electrical panels
- / Supports residential, commercial and utility-size installations
- / Supports RS485 120 Ω line termination
- / Communicates over RS485 to provide monitoring data

Delta Grid Energy Meter with Modbus Connection

SE-RGMTR-3D-208V-A

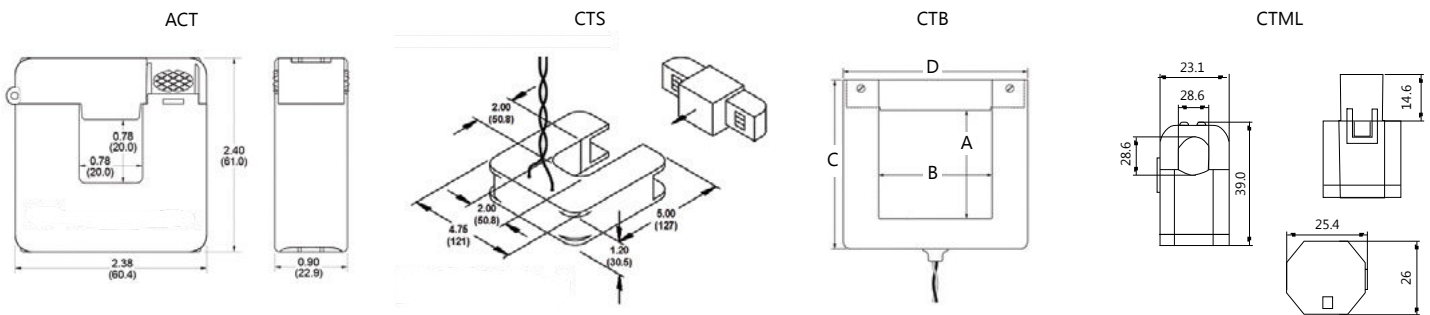
WHEN ORDERING A METER, ORDER CURRENT TRANSFORMERS AS WELL⁽¹⁾:

CURRENT TRANSFORMER MODEL ⁽¹⁾	RATED RMS CURRENT(A)	INTERNAL (A X B) / EXTERNAL (C X D)
SE-CTML-0350-070	70	10 x 10 / 25.4 x 39
SE-ACT-0750-50	50	20 x 20 mm / 61 x 60.4 mm
SE-ACT-0750-100	100	
SE-ACT-0750-250	250	
SE-CTS-2000-1000	1000	50.8 x 50.8 mm / 121 x 127 mm
SE-CTB-4x4-1200	1200	102 x 102 mm / 158 x 168 mm
SE-CTB-4x4-2000	2000	102 x 102 mm / 158 x 168 mm
SE-CTB-4x4.5-3000	3000	114 x 102 mm / 171 x 168 mm



(1) One current transformer per phase; for other ratings contact SolarEdge
 * All CT twisted pair lead wire length are 2.4 meters.

Current Transformer Dimensions



SE-RGMTR-3D-208V-A		UNITS
ELECTRICAL SERVICE		
Nominal Voltage Range - Line to Line	202-240	Vac
Operating Voltage Range - Line to Line	182-264	Vac
Grids ⁽²⁾	3 Phase 3 Wire Delta	
AC Frequency	45-65	Hz
Power Consumption	1 - 1.5 (Typical) 3 (Max)	W
COMMUNICATION		
Supported Communication Interfaces	RS485 half-duplex, 3 wires (A, B, GND)	
Response Time ⁽³⁾	≤1	sec
Default Device ID (Modbus)	1	
ACCURACY (@ 77°F/ 25°C, PF: 0.7-1)⁽⁴⁾		
1% - 100% of Rated CT Current	±1	%
STANDARD COMPLIANCE		
Safety	UL 61010-1; CAN/CSA-C22.2 No. 61010-1-04, IEC 61010-1	
Immunity	EN 61326: 2002; EN 61000-4-2; EN 61000-4-3; EN 61000-4-4; EN 61000-4-5; EN61000-4-6; EN 61000-4-11	
Emissions	FCC Part 15, Class B; EN 55022: 1994, Class B	
INSTALLATION SPECIFICATIONS		
Dimensions (HxWxD)	4.40 x 1.38 x 2.95 / 111.76 x 35.05 x 74.93	inch/mm
Weight	0.45 / 204.12	lb/gr
Operating Temperature Range ⁽⁴⁾	-40 to +185 / -40 to + 85	°F / °C
Relative Humidity (non-condensing)	5% to 90% up to 104°F decreasing linearity to 50% RH at 131°F	%
Protection Rating	IP20 - Suitable for indoor use IP65 - Suitable for outdoor use when mounted inside an electrical enclosure that is rated NEMA 3R or 4	
Mounting Type	DIN Rail	
AC voltage Terminal Block	up to 12 / 2.5	AWG/mm ²
Communication Terminal Block	24 / 0.2 to 14 / 2	AWG/mm ²
Current Transformer Terminal Block	24 / 0.2 to 14 / 2	AWG/mm ²

(2) PE (Protective Earth) connection is not required for meter operation

(3) For power limitation application. When meter is connected at grid connection point, and when RS485 is used for multiple inverters

(4) Using SE-ACTL-0750 CTs models:

- ±1.75% from 10% to 100% of rated current for CTB CTs
- ±1.25% from 1% to 100% of rated current for CTML CTs
- ±1.25% from 10% to 100% of rated current for SE-CTS CTs